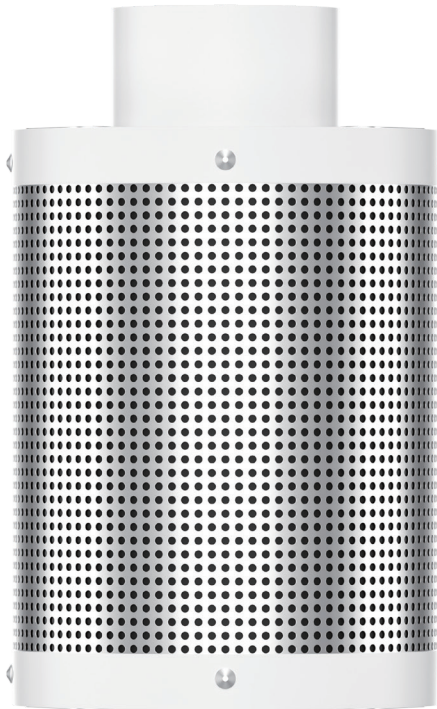


SF0412



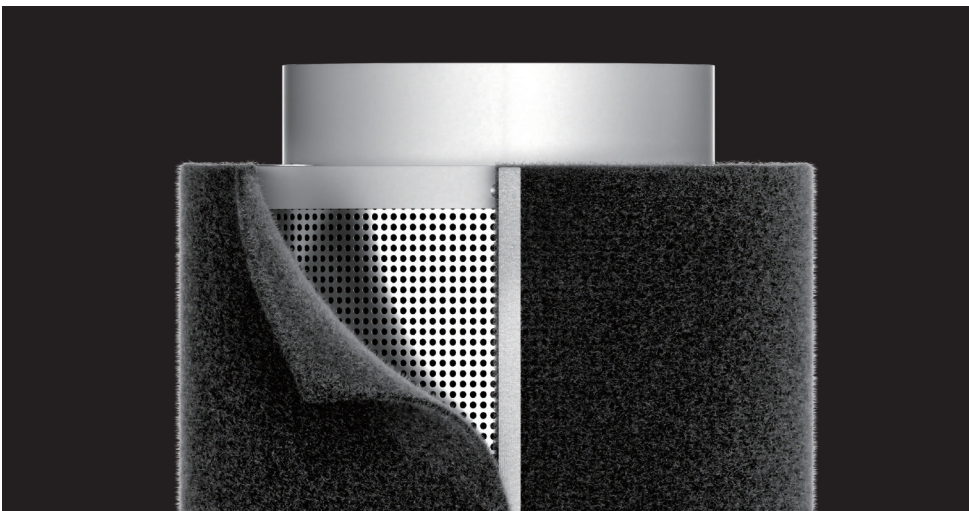
- Premium charcoal
- RC48 virgin granular carbon
- Deep carbon bed
- High open area
- Large air flow
- For seamless operation pair these filters with all SENSDAR EC fans

GENERAL DATA

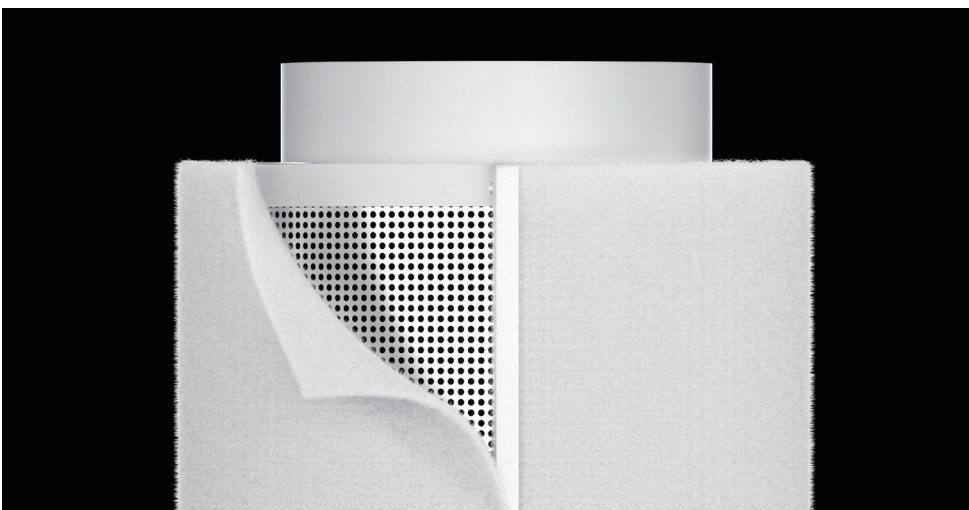
Model	SF0412
Duct Opening	4inch/102mm
Length	12inch/102mm
Air Flow	200CFM/340M ³ H
Medium	Premium Charcoal
Grade	RC-48
Carbon Bed	1.8inch/45mm
Carbon Weight	2.6Kg
Total Weight	3.8Kg
Filter Type	Pre-filter
Housing Material	Cold rolled steel

ATTACHMENT OPTIONAL

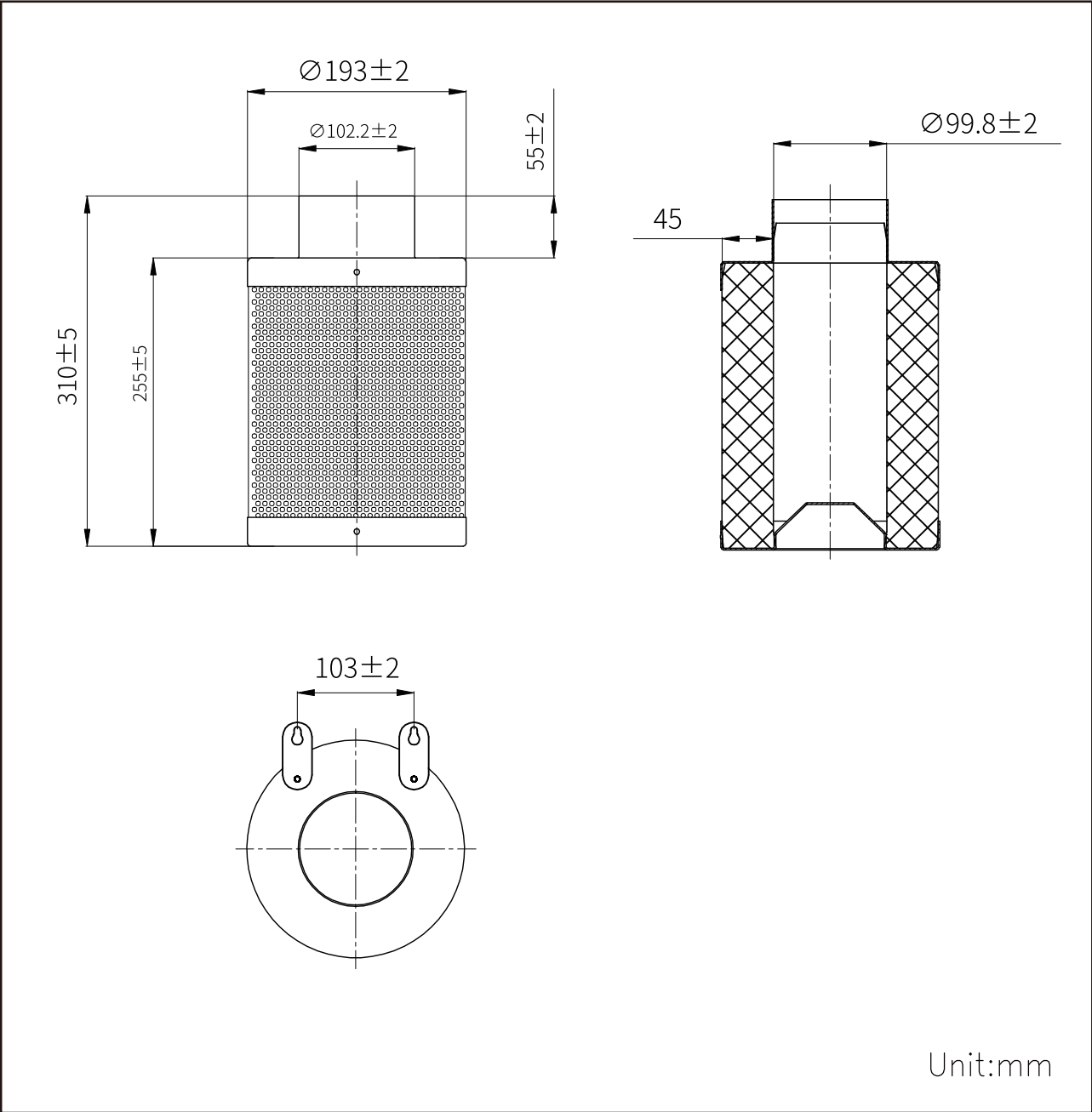
Prefiltered cotton • black



Prefiltered cotton • white



DIMENSION DRAWING



Unit:mm

ADAPTABLE MODEL

■ SE-A100

